

**SCREW TORQUE IN ACCORDANCE WITH EL.UN.0106**  
(Coppia di serraggio viti secondo normativa EL.UN.0106)

**MATERIALS** (Materiali)  
- BLOWER (Ventola)  
- HOUSING (Coclea)  
- BRACKET (Squadretta)  
- SCREWS, WASHERS AND NUTS (Viti, Dadi e Rondelle)

ALUMINIUM - Strip Wheels (Alluminio - da nastro)  
GALVANIZED IRON SHEET (Lamiera Zincata)  
GALVANIZED IRON SHEET (Lamiera Zincata)  
GALVANIZED IRON (Zincati)

BALANCING GRADE (Grado di Bilanciatura)

**G. 6,3**

ELECTRICAL SPECIFICATION (Prescrizione di Collaudo)

**G. 1742/3B**

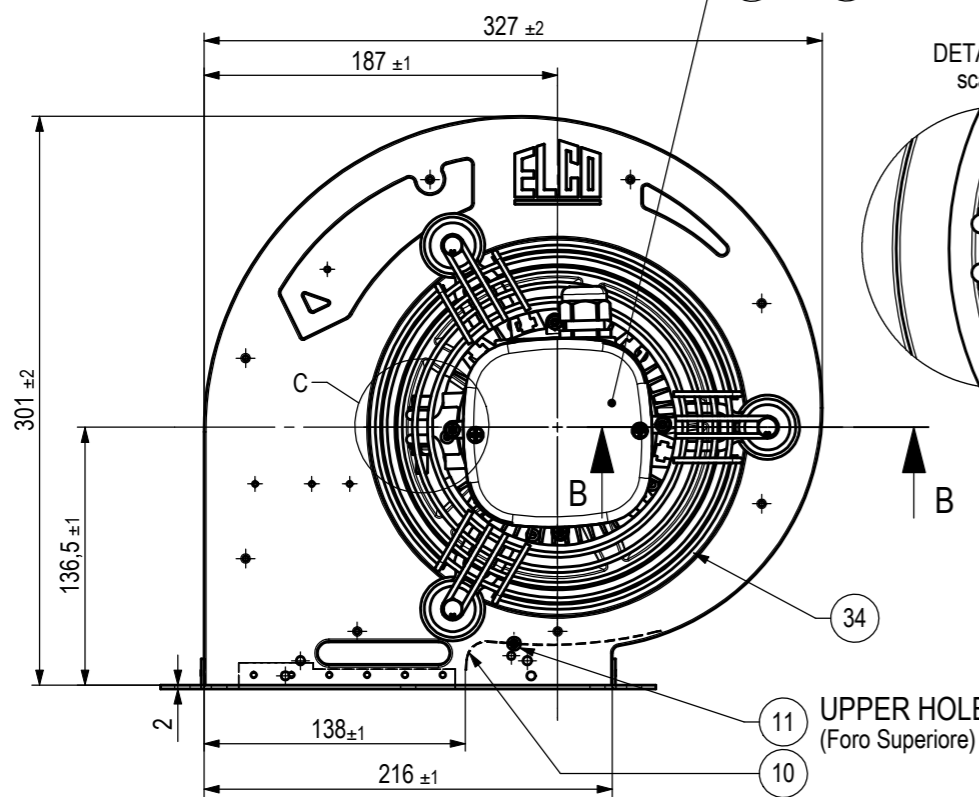
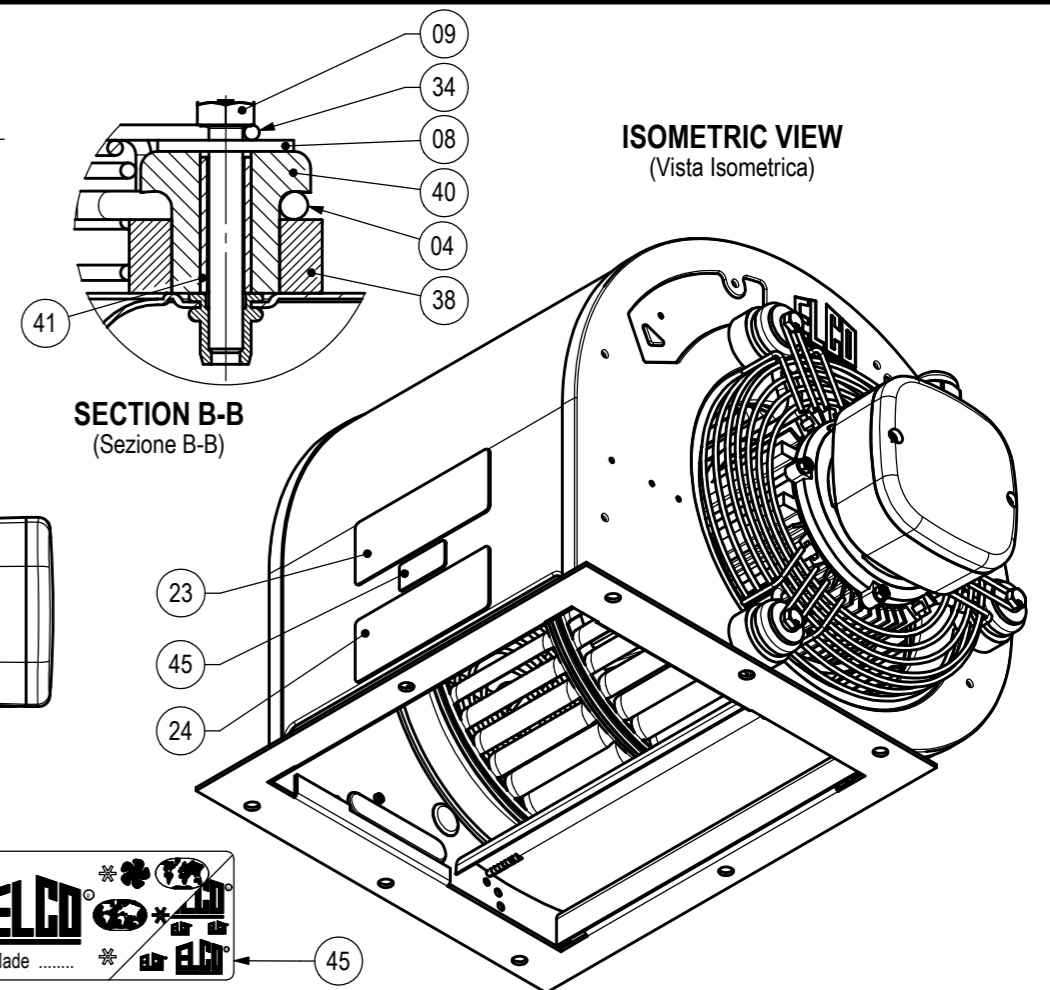
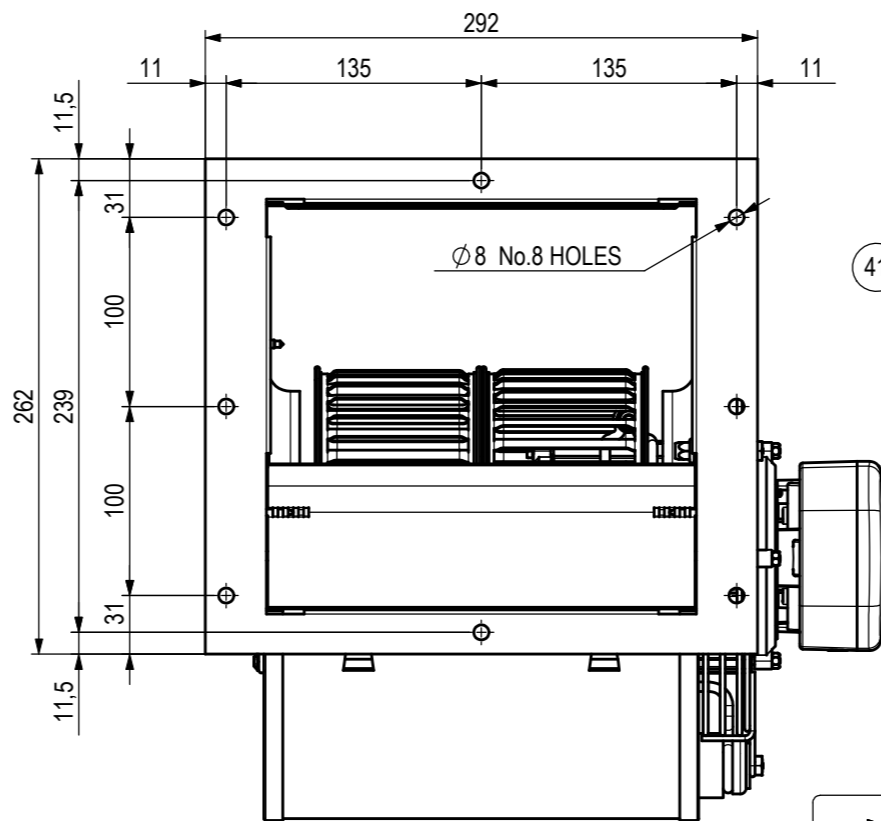
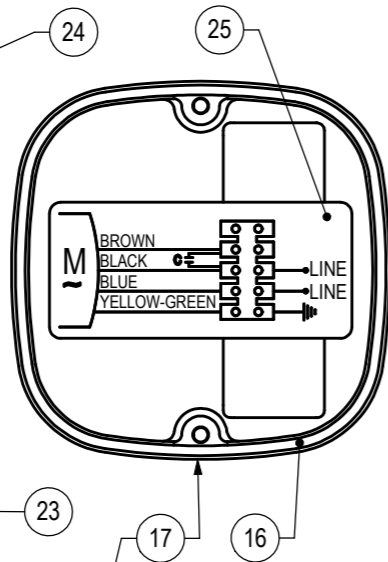
**CODE: DEAR41BB05FR**  
**TYPE: DD 7/7 145-4P-1V-M / 283**



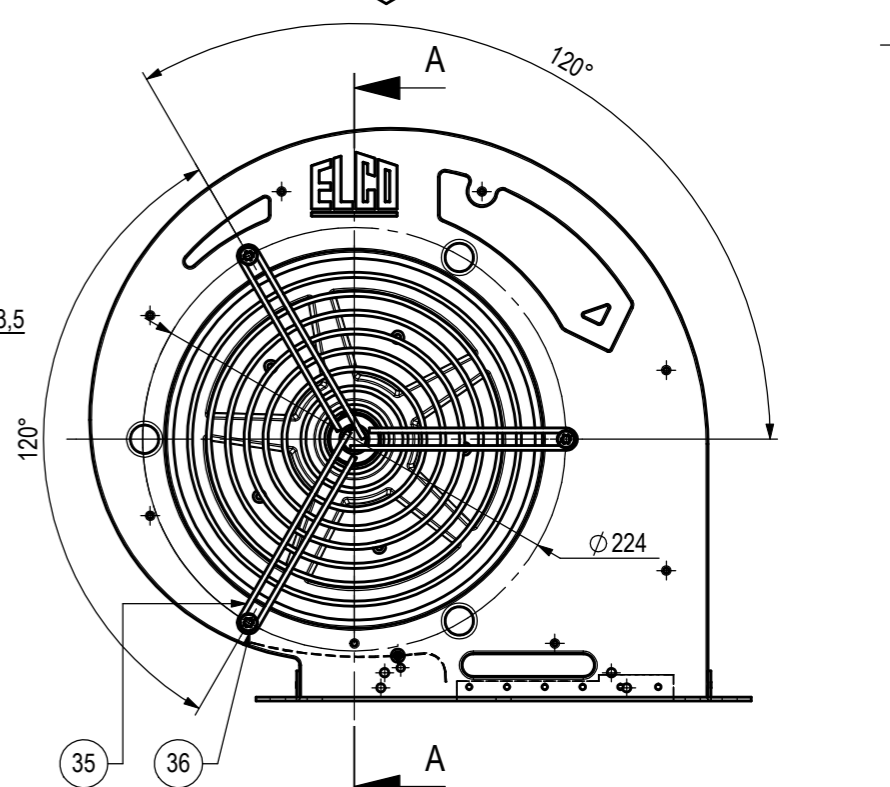
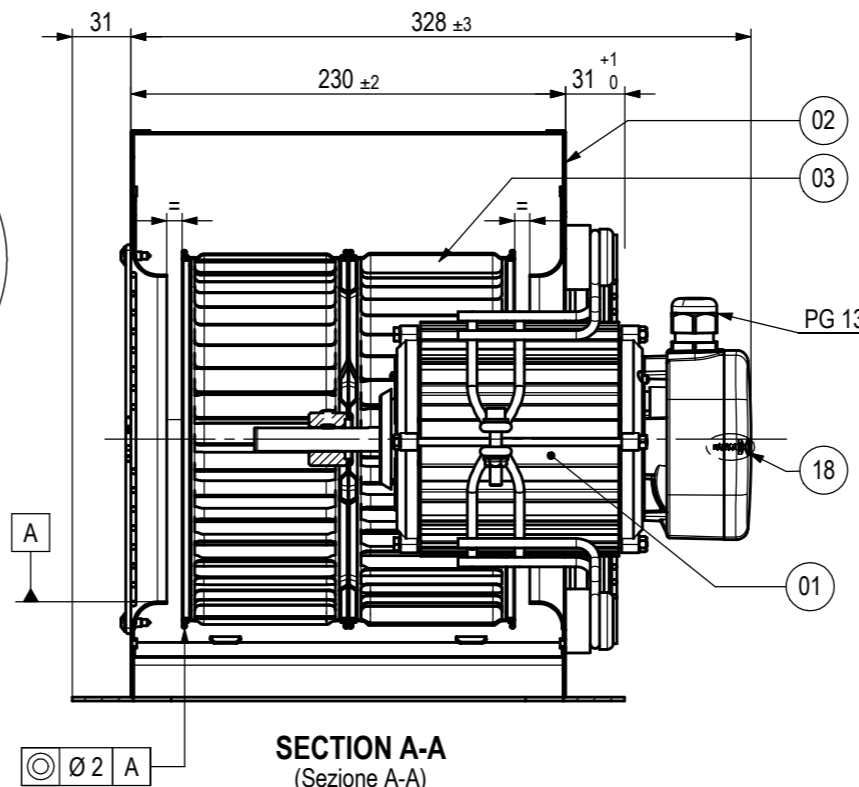
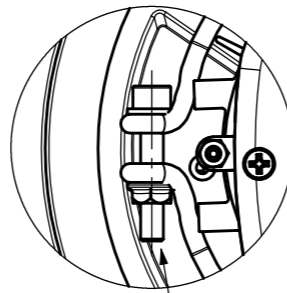
230V 1~ 50/60Hz 145W 1300Rpm 5µF 450 VL  
1,8 Amax (50 Hz) - 1,9 Amax (60Hz)  
TH.Prot. CL. F IP54 Win@ηmax.=191W  
MOTOR: 40101204/50 DATE

**This Fan Motor is suitable only for kitchen hood < 280W and consequently not subject to ErP 327/2011 regulation implementing directive 2009/125/EC**

Questa apparecchiatura è destinata unicamente per l'utilizzo nelle cappe aspiratrici da cucina < 280W quindi non soggetta alla direttiva 2009/125/CE



DETAGLIO "C" scakla 1:2



Rel.	Date	Description	Executor signature	Checked

For dimension without tolerance see standard UNI EN 22768-mK	Treatment	A3
	Material	
	Drawn D.Riboldi Date 27-11-2014 Check Scale ---	CENTRIFUGAL BLOWER 230V 1~ 50/60Hz DD 7/7 145-4P-1V-M/ 283
	Weight gr.	Release -
	Ref. No DEAR41BB07	
	<b>DEAR41BB05FR</b>	